

A.O. SMITH

CONSERVATIONIST®

DURACLAD

COMMERCIAL OIL-FIRED WATER HEATERS

COF-199 THRU COF-700

FEATURES

MEETS ASHRAE/IES 90.1b-1992 REQUIREMENTS FOR IMPROVED ENERGY EFFICIENCIES.

LIME TAMER™ MODELS INHIBIT LIME AND SEDIMENT BUILDUP— Lime Tamer™ models are warranted against tank failure due to sediment buildup for three years.

GLASS-LINED TANK— Assures years of rust-free clean hot water. 160 psi working pressure.

180° ADJUSTABLE THERMOSTAT— Has upper and lower sensing bulbs to average water temperatures at top and bottom of heater for maximum temperature control (120°-180°).

SAFETY SHUTOFF— Limits temperature buildup.

UL LISTED OIL BURNER— Precision engineered to match the units they are used with; designed to fire 1.75 to 5.0 gallons of oil per hour. All models equipped with single phase continuous duty motor 120 volt AC 60 Hz, 3450 rpm with manual overload switch and interrupted ignition. Standard burners equipped with single stage pump with 1 or 2 line capability. Flame retention principle assures high rate of combustion efficiency, yet maintains low operating noise levels. Fuel unit includes pump, strainer, pressure regulating valve and ignition transformer. Transformer rated at 120 volt AC, 60 Hz with 10,000 volt secondary, UL listed for use with No. 1 and 2 commercial grade fuel oil. Burner mounted cadmium cell relay for flame detection - 15 second safety switch timing eliminates the need for RA890F Electronic Safeguard. Complies with UL A708.5-32/33.

EFFICIENT COMBUSTION CHAMBER— Precast, high temperature combustion chamber made of alumina silica ceramic fiber. Engineered for maximum insulation and heat reflection. Unique design assures more complete combustion by stabilizing flame pattern.

INTERRUPTED IGNITION— Reduces electrical consumption.

OIL SOLENOID SAFETY VALVE— Standard on COF-455 and 700.

3/4" DRAIN VALVE— Provided in lower tank for fast draining.

TWO HAND-HOLE CLEANOUTS— Allows easy cleaning on standard models COF-385 and larger and ASME models.

ANODIC PROTECTION— For longer tank life.

FLAME OBSERVATION PORT— Permits convenient flame check.

FOAM INSULATION— Saves fuel, helps assure constant temperature, verminproof.

JACKET— Heavy gauge steel with baked enamel finish over bonderized undercoat. Not approved for installation on combustible flooring.

EASY TO INSTALL BURNER— Three bolt mounting of burner assures easy installation.

BAROMETRIC DRAFT REGULATOR

FACTORY INSTALLED AGA RATED T&P VALVE

OPTIONAL

Two Stage Pump— For use with underground oil storage tanks or JP-5 fuel.

Oil Solenoid Safety Valve— Optional on COF-199, 245, 315 and 385.

ASME Construction Available— On models COF-315A, ASME units have 160 psi working pressure.

CAUTION: Units must be installed on noncombustible surface.



ASME
(OPTIONAL)

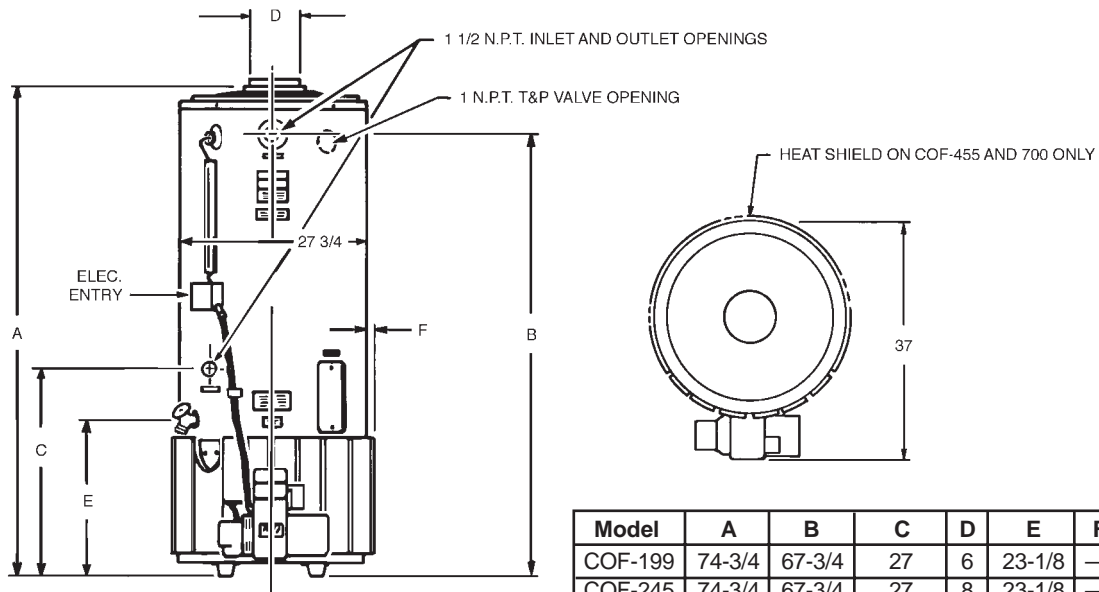


LIMITED WARRANTY OUT-LINE

If the tank should leak anytime during the first three years, under the terms of the warranty, A.O. Smith will furnish a replacement heater less burner and controls; installation, labor, handling and local delivery extra.

THIS OUTLINE IS NOT A WARRANTY.

For complete information, consult the written warranty or A.O. Smith Water Products Company.



Model	A	B	C	D	E	F
COF-199	74-3/4	67-3/4	27	6	23-1/8	---
COF-245	74-3/4	67-3/4	27	8	23-1/8	---
COF-315	74-3/4	67-3/4	27	8	23-1/8	---
COF-385	74-3/4	65	25-1/4	8	23-3/4	---
COF-455	74-3/4	66	25-1/4	8	23-3/4	3/4
COF-700	79-3/4	70-3/8	30-3/16	10	29-3/8	3/4

ALL DIMENSIONS IN INCHES

SPECIFICATIONS AND RECOVERY CAPACITIES

Models	Firing Rate GPH	Tank Storage (U.S. Gal.)	Input* BTU/H	RECOVERY RATES AT °F RISE										Motor HP	Approx. Ship. Wt. (Lbs.)		
				40	50	60	70	80	90	100	110	120	130		140	Standard	ASME
COF-199	1.42	86	199,000	482	386	322	276	241	214	193	175	161	148	138	1/8	568	---
COF-245	1.75	86	245,000	594	475	396	339	297	264	238	216	198	183	170	1/8	557	---
COF-315	2.25	84	315,000	764	611	509	436	382	339	305	278	255	235	218	1/8	557	668
COF-385	2.75	75	385,000	933	747	622	533	467	415	373	339	311	287	267	1/8	638	730
COF-455	3.25	75	455,000	1103	882	735	630	552	490	441	401	368	339	315	1/8	647	748
COF-700	5.00	69	700,000	1697	1358	1131	970	848	754	679	617	566	522	485	1/8	739	853

*Based on No.2 fuel oil. Capacity ratings are actual heater performance at 80% thermal efficiency.
NOTE: Above 2000' altitude, input ratings should be reduced 4% for each 1000' above sea level.

SAMPLE SPECIFICATION

Water heater(s) shall be commercial oil model number _____ or equivalent. Heater(s) shall have a minimum oil firing rate of _____ gph at 100°F temperature rise and a storage capacity of _____ gallons. The 160 psi working pressure tank shall be glass-lined with the alkaline borosilicate composition being fused to the steel at 1600° and be equipped with 1 1/2" water inlet and outlet openings, and 2 3/4" x 3 3/4" boiler-type hand-hole cleanout (2) on COF- 315 and larger or ASME models. The tank shall be insulated with 2" of vermin proof fiber glass insulation. The outer jacket shall have baked enamel finish over a bonderized undercoating.

The burner shall be Underwriters' Laboratories listed and have a _____ (one or two) stage oil pump. The burner shall have flame retention, interrupted ignition and be equipped with primary controls which will provide for 15 second safety shutdown in the event of flame failure. The heater(s) shall be factory equipped with primary controls which will provide for 15 second safety shutdown in the event of flame failure. The heater(s) shall be factory equipped with temperature limiting device, drain valve, flame observation port and 180° adjustable thermostat having upper and lower sensing bulbs which average the water temperatures at the top and bottom of the tank for maximum water temperature control. A pressure and temperature relief valve shall be furnished and installed by the factory. Heater tank shall have a 3 year limited warranty against corrosion and tank failure due to sediment buildup as outlined in the warranty.

CAUTION: Unit must be installed on noncombustible surface.

MULTIPLE INSTALLATIONS

Furnish and install _____ models as specified with an A.O. Smith (2, 3, or 4) heater manifold kit, package number _____.

A.O. Smith Water Products Co., Inc. On Line
www.hotwater.com

For Technical Information
Phone: 800-527-1953

A. O. Smith
Water Products Company
Irving, TX

A Division of A. O. Smith Corporation

A. O. Smith Corporation reserves the right to make product changes or improvements at any time without notice.